

4

3

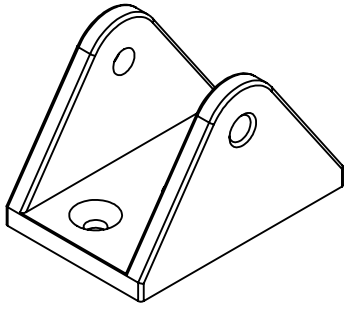
2

1

F

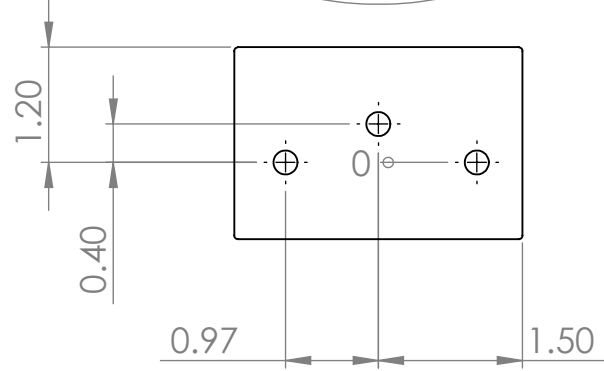
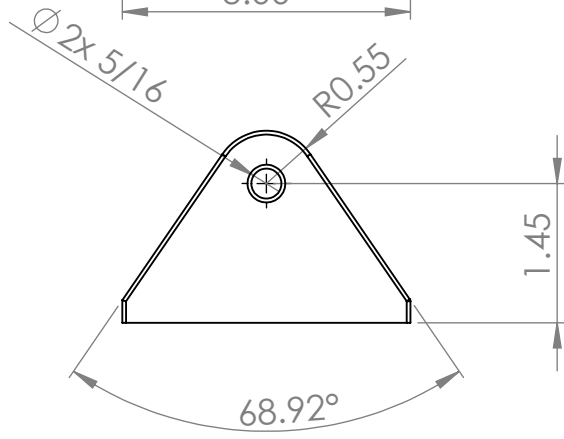
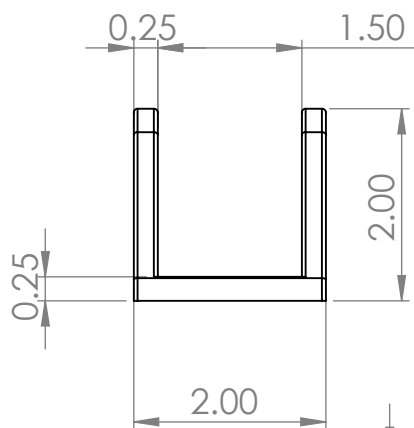
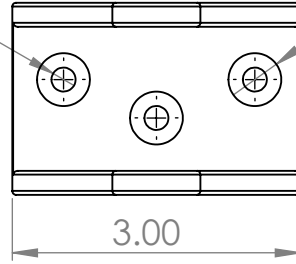
F

Chamfer edges .04"



$\phi 3x 0.25$

$\phi 3x$ Countresunk 0.55



D

D

C

C

B

B

UNLESS OTHERWISE SPECIFIED:
 DIMENSIONS ARE IN MILLIMETERS
 SURFACE FINISH:
 TOLERANCES:
 LINEAR:
 ANGULAR:

FINISH:

DEBURR AND
 BREAK SHARP
 EDGES

DO NOT SCALE DRAWING

REVISION

	NAME	SIGNATURE	DATE
DRAWN			
CHKD			
APPV'D			
MFG			
Q.A			

TITLE:

U Bracket

MATERIAL:

Al 6061

DWG NO.



TROGEAR

A4

WEIGHT:

SCALE:1:2

SHEET 1 OF 1

4

3

2

1

A

A