



### **Sidemount and Through Hull Tube installation (AS-40/AS-50)**

1. **Marking the boat centerline:** Place masking tape on the deck along the longitude centerline of the boat and mark the centerline. This will help to align the bowsprit in next step. (see image 1)
2. **Finding the Mounting location:** Temporarily assemble the bowsprit and sidemounts with the G10 tube. The G10 tube should go through the spherical bearing and be flush with the outside edge of the bearing. Place the assembly on the top of the deck and align the side mounts with side of the hull. Place tape on the deck underneath the assembly (see image 2). Mark the tape on both sides of the G10 tube. Then, mark the position of the center of the G10 tube. (see image 2)
3. **Determining the final sidemount location and through hull tube center point:**
  - a. **Non flared hull:** If the side of the hull does not flare directly below the marked center of the shaft, place some masking tape in the area where you want to mount the sidemount. Mark the position of the center of hole for the G10 fiberglass through hull tube. Proceed with installation of the tube per our manual.
  - b. **Flared hull:** When the hull is flared it is necessary to place the sidemounts in a location such that the distance between the outmost surface of the spherical bearings will be Between 307 – 327mm. (See image 4). (For example: if you move the side mounts lower or forward the distance will decrease and moving aft and up the distance will increase).  
  
The position of the center of the tube will be farther aft than a non-flared hull. Also, it is allowable that the G10 tube extends past the spherical bearings up to ~10mm on each side.
4. **Through hull tube install:** Follow the instruction in our install manual. Remember that the G10 tube should go through the spherical bearing of the side mounts and be flush with the outside edge of the bearing.
5. **Install the side mounts:** Before glassing in the G10 tube, be sure that the sidemount position is correct by installing the shaft and bowsprit. When in position, mark the holes for the sidemounts. Glass in the tube, then install the mounts.

## Side mount installation Procedure

### **Drill the Holes**

Drill the 6 holes using a 5/16" or 8mm drill bit.

**Note for cored hulls:** The mounting holes should be reinforced with structural Epoxy surrounding the hole periphery area. Use large size washers and/or backing plates inside the hull (if needed).

### **Attach side mount/bowsprit assembly:**

Position the sidemount on the bow. Insert the 6 bolts with washers under the bolt head. Be sure to seal the 6 bolts with the marine grade sealant or your preferred sealing method.

From inside, slide the large sized washers over the bolts and tighten the nuts.  
Remember that the bowsprit can be removed from the side mounts at any time.

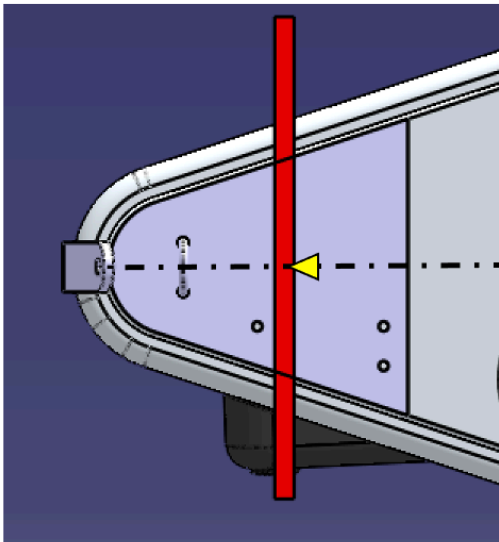


IMAGE 1



IMAGE 2



IMAGE 3

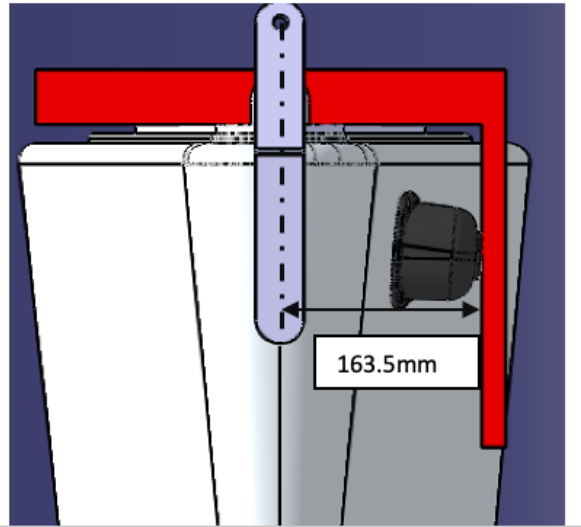


IMAGE 4

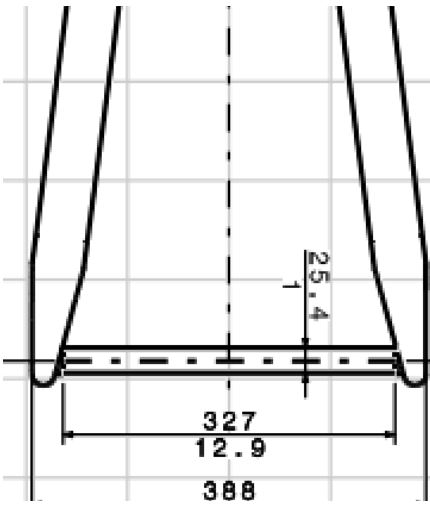


IMAGE 5

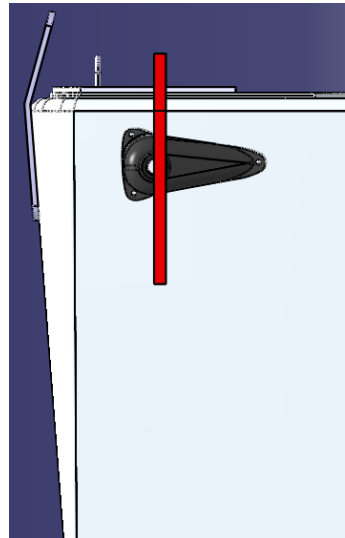


IMAGE 6